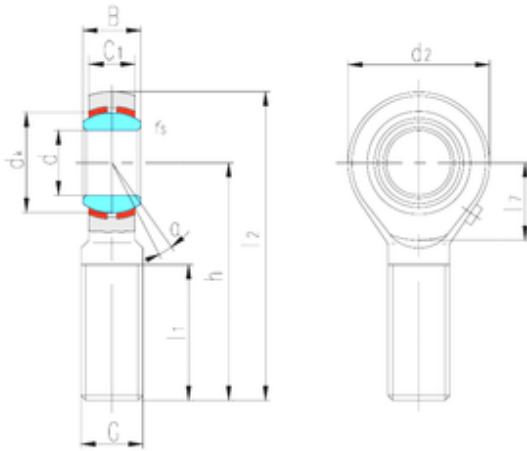




NTN Bearing Manufacturing



LS SABP30S plain bearings

Bearing No. SABP30S

Bore Diameter	30 mm
d	30 mm
B	37 mm
d2	70 mm
dk	50,8 mm
h	110 mm
l1 min.	66 mm
l2 max.	145 mm
l7 min.	39 mm
r min.	0,6 mm
C1	25 mm
Thread (G)	M30 × 2
Angle	17 °
Weight	1,13 Kg
Basic dynamic load rating (C)	63 kN

SABP30S Bearing 2D drawings and 3D CAD models