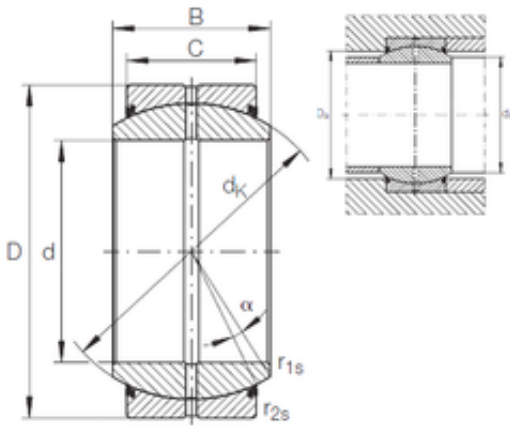




NTN Bearing Manufacturing

200 mm x 290 mm x 130 mm INA GE 200 DO-2RS plain bearings

Bearing No. GE 200 DO-2RS



GE 200 DO-2RS Bearing 2D drawings and 3D CAD models

Size	200x290x130 mm
Bore Diameter	200 mm
Outer Diameter	290 mm
Width	130 mm
d	200 mm
D	290 mm
B	130 mm
C	100 mm
dk	250 mm
r1 min.	1,1 mm
r2 min.	1,1 mm
da max	213,5 mm
Da min	239 mm
Angle	7 °
Weight	28,3 Kg
Basic dynamic load rating (C)	2120 kN