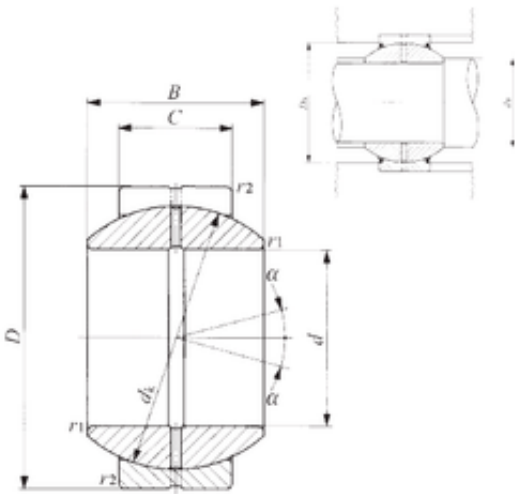




NTN Bearing Manufacturing

140 mm x 230 mm x 130 mm IKO GE 140GS
plain bearings



Bearing No. GE 140GS

Size	140x230x130 mm
Bore Diameter	140 mm
Outer Diameter	230 mm
Width	130 mm
d	140 mm
D	230 mm
B	130 mm
C	80 mm
dk	200 mm
r1 min.	1 mm
r2 min.	1 mm
da min.	145,5 mm
da max	152 mm
Da min	224,5 mm
Da max.	195 mm
Angle	16 °
Weight	19,2 Kg
Basic dynamic load rating (C)	1570 kN

GE 140GS Bearing 2D drawings and 3D CAD models