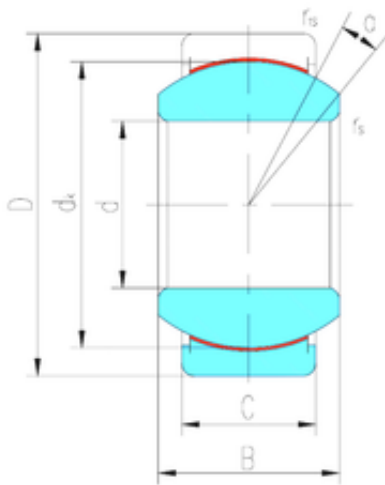




NTN Bearing Manufacturing



50 mm x 90 mm x 56 mm LS GEG50ET-2RS
plain bearings

Bearing No. GEG50ET-2RS

Size	50x90x56 mm
Bore Diameter	50 mm
Outer Diameter	90 mm
Width	56 mm
d	50 mm
D	90 mm
B	56 mm
C	36 mm
dk	80 mm
r min.	0,6 mm
r1 min.	1 mm
Angle	17 °
Weight	1,42 Kg
Basic dynamic load rating (C)	430 kN

GEG50ET-2RS Bearing 2D drawings and 3D CAD models