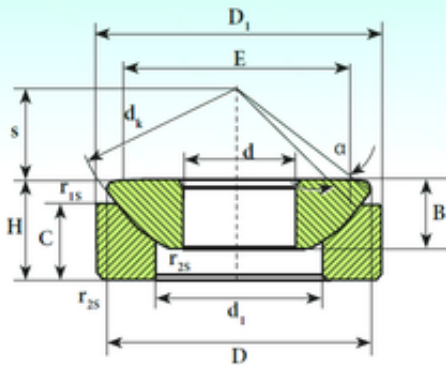




NTN Bearing Manufacturing

50 mm x 122,5 mm x 33,5 mm ISB GX 50 CP
plain bearings

Bearing No. GX 50 CP



GX 50 CP Bearing 2D drawings and 3D CAD models

Size	50x122.5x33.5 mm
Bore Diameter	50 mm
Outer Diameter	122,5 mm
Width	33,5 mm
d	50 mm
d1	70 mm
D	122,5 mm
B	33,5 mm
C	30,5 mm
H	42,5 mm
dk	140 mm
r1 min.	1 mm
r2 min.	0,3 mm
s	30 mm
D1	130 mm
E	98 mm
Angle	5 °
Weight	3,3 Kg
Basic dynamic load rating (C)	840 kN