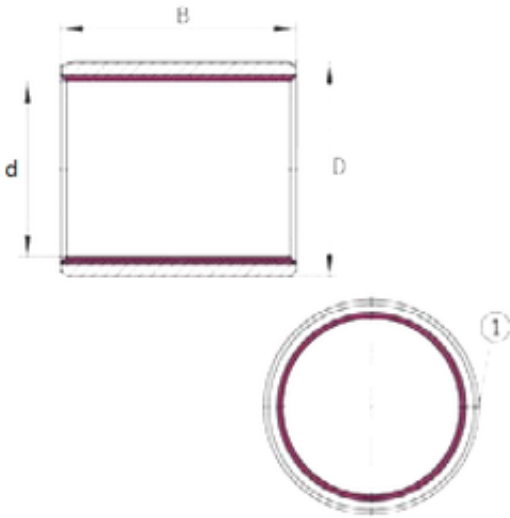




NTN Bearing Manufacturing



45 mm x 50 mm x 40 mm INA EGB4540-E40 plain bearings

Bearing No. EGB4540-E40

EGB4540-E40 Bearing 2D drawings and 3D CAD models

Size	45x50x40 mm
Bore Diameter	45 mm
Outer Diameter	50 mm
Width	40 mm
d	45 mm
D	50 mm
B	40 mm
Category	Sleeve Bearings
Inventory	0.0
Manufacturer Name	SCHAEFFLER GROUP
Minimum Buy Quantity	N/A
Weight / Kilogram	0.135
EAN	4012802844672
Product Group	B04264
Profile	Bushing No Flange Split
Material Description	Steel Backing, Bronze Innerstructure, PTFE-lead Overlay
Material	Permaglide P10
Inch - Metric	Metric
Long Description	45MM Nominal Bore; 50MM Nominal Outside Diameter; 40MM Length Thru Bore; Bushing No Flange Split Profile; Steel Backing, Bronze Innerstructure, PTFE-lead Overlay; Permaglide P10



NTN Bearing Manufacturing

	Material
Category	Sleeve Bearings
UNSPSC	31171515
Harmonized Tariff Code	84833080
Noun	Bearing
Keyword String	Plain
Manufacturer URL	http://www.ina.com
Manufacturer Item Number	PAP4540P10
Weight / LBS	0.298
Length Thru Bore	1.575 Inch 40 Millimeter
Nominal Bore	1.772 Inch 45 Millimeter
Nominal Outside Diameter	1.969 Inch 50 Millimeter