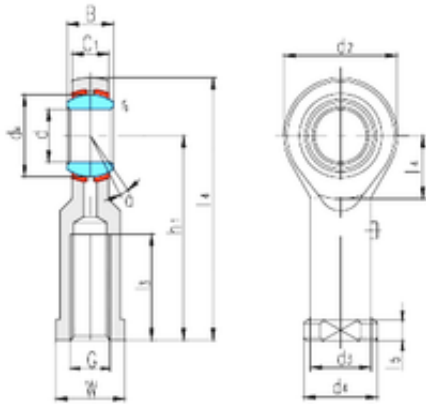




# NTN Bearing Manufacturing

## LS SIZP11S plain bearings



Bearing No. SIZP11S

Bore Diameter	11,11 mm
d	11,11 mm
B	14,27 mm
d2	28,58 mm
d3	15,49 mm
d4	19,05 mm
dk	20,62 mm
h1	46,02 mm
l3 min.	26,97 mm
l4 max.	60,33 mm
l5	6,35 mm
l7 min.	14 mm
r min.	0,6 mm
C1	11,1 mm
W	15,88 mm
Thread (G) - 7/16-20	7/1620
Angle	11 °
Weight	0,081 Kg
Basic dynamic load rating (C)	11 kN

SIZP11S Bearing 2D drawings and 3D CAD models