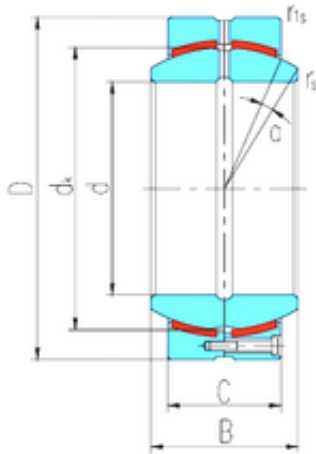




NTN Bearing Manufacturing



630 mm x 900 mm x 450 mm LS GEH630HCS
plain bearings

Bearing No. GEH630HCS

Size	630x900x450 mm
Bore Diameter	630 mm
Outer Diameter	900 mm
Width	450 mm
d	630 mm
D	900 mm
B	450 mm
C	425 mm
dk	813 mm
r min.	3 mm
r1 min.	6 mm
Angle	2 °
Weight	1092 Kg
Basic dynamic load rating (C)	34550 kN

GEH630HCS Bearing 2D drawings and 3D CAD models