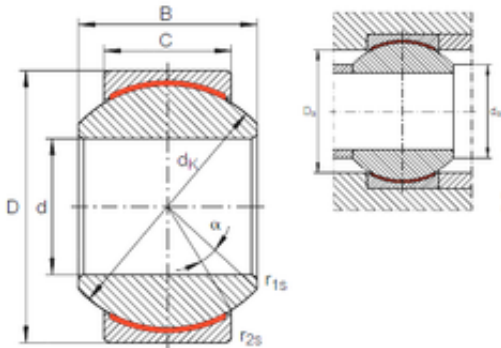




# NTN Bearing Manufacturing

10 mm x 22 mm x 14 mm INA GE 10 PW plain bearings



GE 10 PW Bearing 2D drawings and 3D CAD models

Bearing No. GE 10 PW

Size	10x22x14 mm
Bore Diameter	10 mm
Outer Diameter	22 mm
Width	14 mm
d	10 mm
D	22 mm
B	14 mm
C	10,5 mm
dk	19,05 mm
r1 min.	0,3 mm
r2 min.	0,3 mm
da max	12,9 mm
Da min	17 mm
Angle	13 °
Weight	0,027 Kg
Basic dynamic load rating (C)	18 kN