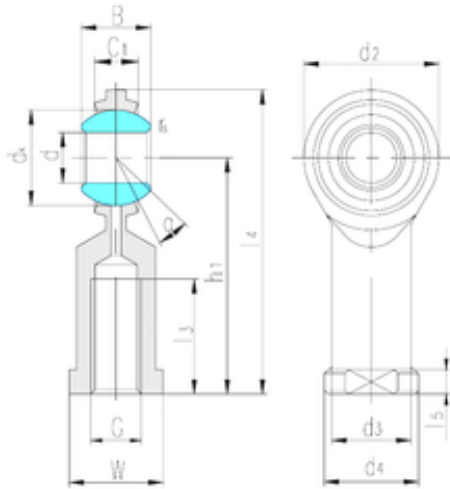




NTN Bearing Manufacturing



SIJ20 Bearing 2D drawings and 3D CAD models

LS SIJ20 plain bearings

Bearing No. SIJ20

Bore Diameter	20 mm
d	20 mm
B	25 mm
d2	46 mm
d3	27,5 mm
d4	34 mm
dk	34,925 mm
h1	77 mm
l3 min.	40 mm
l4 max.	100 mm
l5	10 mm
r min.	0,6 mm
C1	18 mm
W	30 mm
Thread (G)	M20 × 1,5
Angle	14 °
Weight	0,314 Kg
Basic dynamic load rating (C)	23 kN