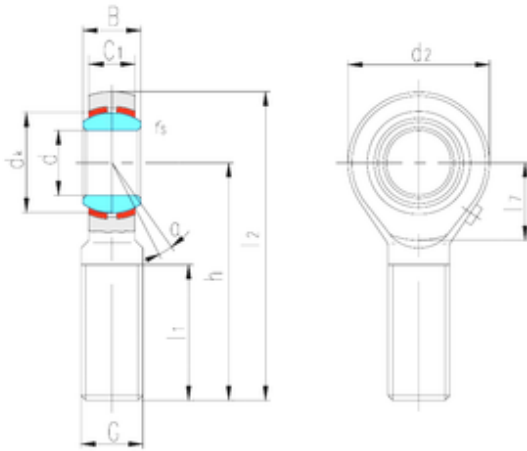




NTN Bearing Manufacturing



LS SABP16S plain bearings

Bearing No. SABP16S

Bore Diameter	16 mm
d	16 mm
B	21 mm
d2	38 mm
dk	28,58 mm
h	66 mm
l1 min.	40 mm
l2 max.	85 mm
l7 min.	— mm
r min.	0,3 mm
C1	15 mm
Thread (G)	M16
Angle	15 °
Weight	0,225 Kg
Basic dynamic load rating (C)	21 kN

SABP16S Bearing 2D drawings and 3D CAD models