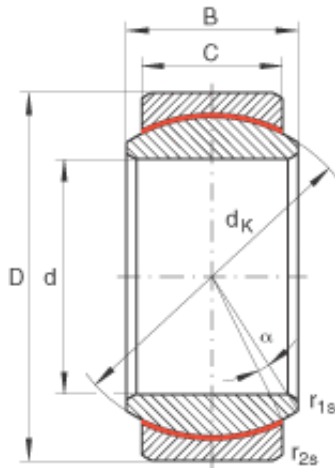




NTN Bearing Manufacturing



GE10-UK Bearing 2D drawings and 3D CAD models

INA GE10-UK plain bearings

Bearing No. GE10-UK

Size	10x19x9 mm
Bore Diameter	10 mm
Outer Diameter	19 mm
Width	9 mm
C	6 mm
$D_{a \min}$	15,5 mm
$d_{a \max}$	13,2 mm
d_K	16 mm
$r_{1s \min}$	0,3 mm
$r_{2s \min}$	0,3 mm
alf (°)	12
Weight (kg)	0,011
C_r (N)	8640
C_{Or} (N)	21600
Category	Spherical Plain Bearings - Radial
Inventory	2.0
Manufacturer Name	SCHAEFFLER GROUP
Minimum Buy Quantity	N/A
Weight / Kilogram	0.016
EAN	4012802531237
Product Group	B04264
Self Aligning	Yes
Rolling Element	Spherical Plain
Material - Outer Member	Steel
Material - Ball	Steel



NTN Bearing Manufacturing

Material - Liner	Teflon
Relubricatable	No
Enclosure	Open
Other Features	2 Piece Axially Split Outer Ring
Long Description	10MM Bore; 6MM Housing Width; 19MM Outside Diameter; Spherical Plain; Steel Outer Member; Steel Ball; Teflon Liner; 9MM Overall Width; Not Relubricatable
Inch - Metric	Metric
Category	Plain Bearings Spherical Radial
UNSPSC	31171515
Harmonized Tariff Code	8483.30.80.70
Noun	Bearing
Keyword 3	Spherical
Keyword String	Plain Spherical Radial
Manufacturer URL	http://www.ina.com
Manufacturer Item Number	GE10UK
Weight / LBS	0.024
Outside Diameter	0.748 Inch 19 Millimeter
Overall Width	0.354 Inch 9 Millimeter
Bore	0.394 Inch 10 Millimeter
Housing Width	0.236 Inch 6 Millimeter