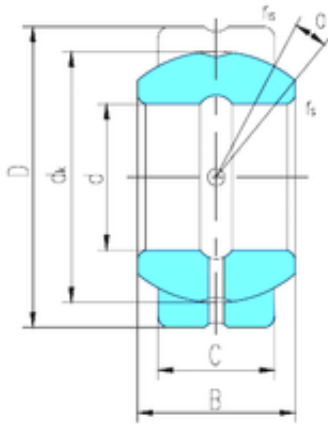




# NTN Bearing Manufacturing

50,8 mm x 90,488 mm x 52,578 mm LS  
GEGZ50ES plain bearings



GEGZ50ES Bearing 2D drawings and 3D CAD models

Bearing No. GEGZ50ES

Size	50.8x90.488x52.578 mm
Bore Diameter	50,8 mm
Outer Diameter	90,488 mm
Width	52,578 mm
d	50,8 mm
D	90,488 mm
B	52,578 mm
C	42,85 mm
dk	82 mm
r min.	0,6 mm
r1 min.	1 mm
Angle	14 °
Weight	1,68 Kg
Basic dynamic load rating (C)	280 kN