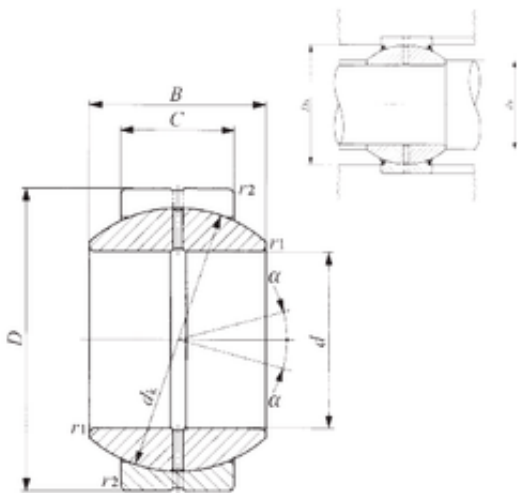




# NTN Bearing Manufacturing

20 mm x 42 mm x 25 mm IKO GE 20GS plain bearings

Bearing No. GE 20GS



GE 20GS Bearing 2D drawings and 3D CAD models

Size	20x42x25 mm
Bore Diameter	20 mm
Outer Diameter	42 mm
Width	25 mm
d	20 mm
D	42 mm
B	25 mm
C	16 mm
dk	35,5 mm
r1 min.	0,3 mm
r2 min.	0,6 mm
da min.	22,5 mm
da max	25 mm
Da min	37,5 mm
Da max.	37 mm
Angle	17 °
Weight	0,155 Kg
Basic dynamic load rating (C)	55,7 kN