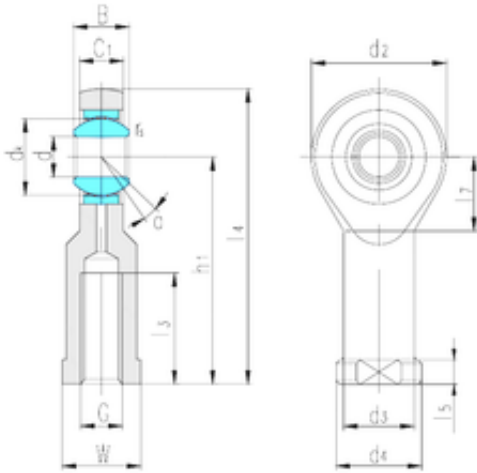




# NTN Bearing Manufacturing

## LS SI25ET-2RS plain bearings

Bearing No. SI25ET-2RS



SI25ET-2RS Bearing 2D drawings and 3D CAD models

Bore Diameter	25 mm
d	25 mm
B	20 mm
d2	64 mm
d3	35 mm
d4	42 mm
dk	35,5 mm
h1	94 mm
l3 min.	48 mm
l4 max.	126 mm
l5	12 mm
l7 min.	33 mm
r min.	0,6 mm
C1 max	18 mm
G	M24 × 2 mm
W	36 mm
Angle	7 °
Weight	0,66 Kg
Basic dynamic load rating (C)	85 kN