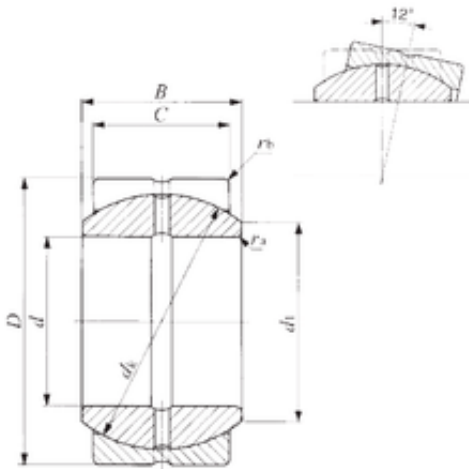




NTN Bearing Manufacturing

107,95 mm x 168,275 mm x 94,46 mm IKO SBB 68 plain bearings



Bearing No. SBB 68

Size	107.95x168.275x94.46 mm
Bore Diameter	107,95 mm
Outer Diameter	168,275 mm
Width	94,46 mm
d	107,95 mm
D	168,275 mm
B	94,46 mm
C	80,95 mm
d1	122,6 mm
dk	155 mm
ra max.	0,8 mm
rb max.	1,1 mm
Weight	8,46 Kg
Basic dynamic load rating (C)	1230 kN

SBB 68 Bearing 2D drawings and 3D CAD models