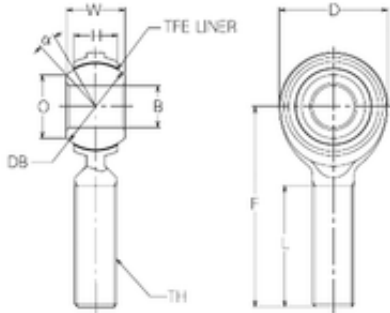




NTN Bearing Manufacturing

4 mm x 14 mm x 4 mm NMB RBT4E plain bearings



Bearing No. RBT4E

Bore Diameter	4 mm
Width	4 mm
d	4 mm
Db	10,32 mm
O	7,6 mm
B	4 mm
D	14 mm
F	30 mm
H	5,25 mm
L	17 mm
W	7 mm
Angle	12 °
Thread (TH)	M4 x 0,7
Weight	0,01 Kg
Basic static load rating (C0)	2,45 kN

RBT4E Bearing 2D drawings and 3D CAD models