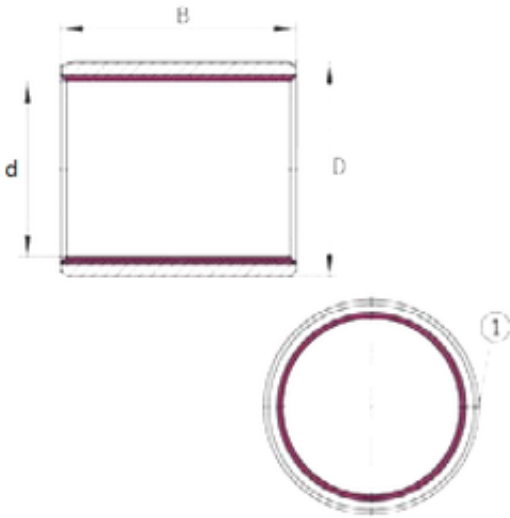




NTN Bearing Manufacturing



44,45 mm x 49,213 mm x 25,4 mm INA
EGBZ2816-E40 plain bearings

Bearing No. EGBZ2816-E40

EGBZ2816-E40 Bearing 2D drawings and 3D CAD models

Size	44.45x49.213x25.4 mm
Bore Diameter	44,45 mm
Outer Diameter	49,213 mm
Width	25,4 mm
d	44,45 mm
D	49,213 mm
B	25,4 mm
Category	Sleeve Bearings
Inventory	0.0
Manufacturer Name	SCHAEFFLER GROUP
Minimum Buy Quantity	N/A
Weight / Kilogram	0.08
Product Group	B04264
Profile	Bushing No Flange Split
Material Description	Steel Backing, Bronze Innerstructure, PTFE-lead Overlay
Material	Permaglide P10
Inch - Metric	Inch
Long Description	1-3/4" Nominal Bore; 1-15/16" Nominal Outside Diameter; 1" Length Thru Bore; Bushing No Flange Split Profile; Steel Backing, Bronze Innerstructure, PTFE-lead Overlay; Permaglide P10 Mat
Category	Sleeve Bearings



NTN Bearing Manufacturing

UNSPSC	31171515
Harmonized Tariff Code	84833080
Noun	Bearing
Keyword String	Plain
Manufacturer URL	http://www.ina.com
Manufacturer Item Number	PAPZ2816P10
Weight / LBS	0.177
Nominal Bore	1.75 Inch 44.45 Millimeter
Nominal Outside Diameter	1.938 Inch 49.225 Millimeter
Length Thru Bore	1 Inch 25.4 Millimeter