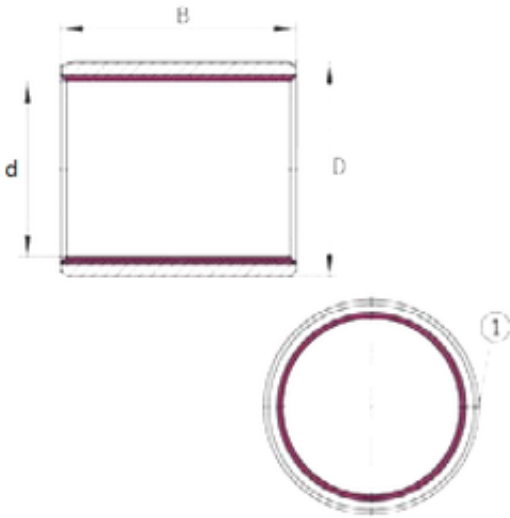




# NTN Bearing Manufacturing



180 mm x 185 mm x 100 mm INA  
EGB180100-E40 plain bearings

Bearing No. EGB180100-E40

EGB180100-E40 Bearing 2D drawings and 3D CAD models

Size	180x185x100 mm
Bore Diameter	180 mm
Outer Diameter	185 mm
Width	100 mm
d	180 mm
D	185 mm
B	100 mm
Category	Sleeve Bearings
Inventory	0.0
Manufacturer Name	SCHAEFFLER GROUP
Minimum Buy Quantity	N/A
Weight / Kilogram	1.317
Product Group	B04264
Profile	Bushing No Flange Split
Material Description	Steel Backing, Bronze Innerstructure, PTFE-lead Overlay
Material	Permaglide P10
Inch - Metric	Metric
Long Description	180MM Nominal Bore; 185MM Nominal Outside Diameter; 100MM Length Thru Bore; Bushing No Flange Split Profile; Steel Backing, Bronze Innerstructure, PTFE-lead Overlay; Permaglide P10 Material



## NTN Bearing Manufacturing

Category	Sleeve Bearings
UNSPSC	31171515
Harmonized Tariff Code	84833080
Noun	Bearing
Keyword String	Plain
Manufacturer URL	<a href="http://www.ina.com">http://www.ina.com</a>
Manufacturer Item Number	PAP180100P10
Weight / LBS	2.904
Nominal Bore	7.087 Inch   180 Millimeter
Nominal Outside Diameter	7.283 Inch   185 Millimeter
Length Thru Bore	3.937 Inch   100 Millimeter