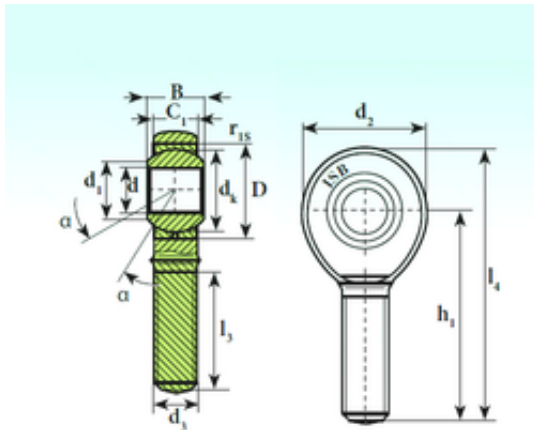




# NTN Bearing Manufacturing



TSM 16 C Bearing 2D drawings and 3D CAD models

16 mm x 32 mm x 21 mm ISB TSM 16 C plain bearings

Bearing No. TSM 16 C

Size	16x32x21 mm
Bore Diameter	16 mm
Outer Diameter	32 mm
Width	21 mm
d	16 mm
D	32 mm
B	21 mm
d1	19,3 mm
d2	42 mm
dk	28,58 mm
h1	66 mm
l3 min.	37 mm
l4 max.	87 mm
r min.	0,3 mm
C1	15,5 mm
Thread (G)	M16x2
Angle	15 °
Weight	0,18 Kg
Basic dynamic load rating (C)	23 kN