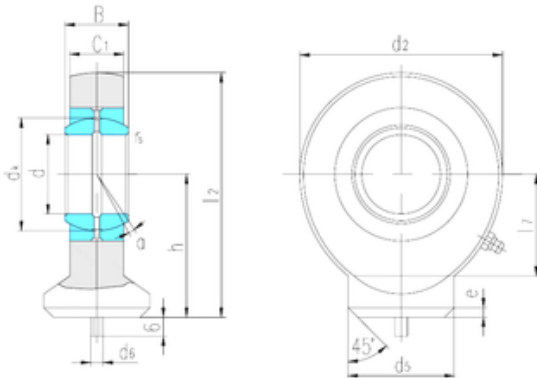




NTN Bearing Manufacturing



LS SK17ES plain bearings

Bearing No. SK17ES

Bore Diameter	17 mm
d	17 mm
B	14 mm
d2	46 mm
d6	3 mm
dk	25 mm
h	35 mm
l1 min.	58 mm
l2 max.	23 mm
l7 min.	24 mm
r min.	0,3 mm
C1	11 mm
Angle	10 °
d5	4 r/min
Weight	0,18 Kg
Basic dynamic load rating (C)	21 kN

SK17ES Bearing 2D drawings and 3D CAD models