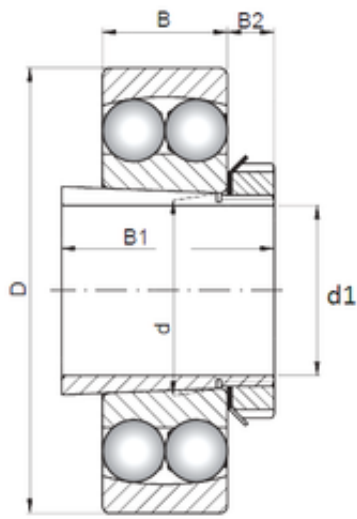




NTN Bearing Manufacturing



55 mm x 120 mm x 43 mm ISO 2311K+H2311
self aligning ball bearings

Bearing No. 2311K+H2311

Size	55x120x43 mm
Bore Diameter	55 mm
Outer Diameter	120 mm
Width	43 mm
d	55 mm
d1	50 mm
D	120 mm
B	43 mm
C	43 mm
B1	59 mm
B2	12,5 mm

2311K+H2311 Bearing 2D drawings and 3D CAD models