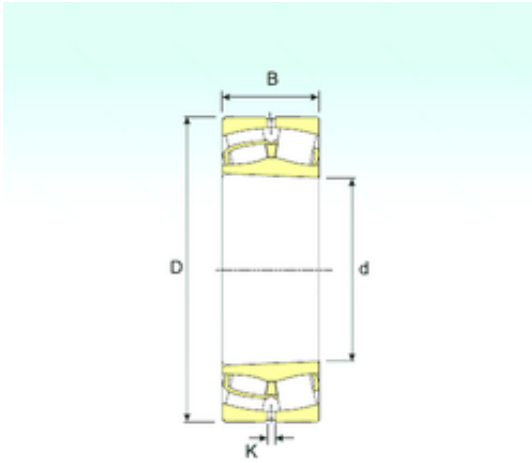




NTN Bearing Manufacturing



950 mm x 1360 mm x 412 mm ISB 240/950 K30 spherical roller bearings

Bearing No. 240/950 K30

Size	950x1360x412 mm
Bore Diameter	950 mm
Outer Diameter	1360 mm
Width	412 mm
d	950 mm
D	1360 mm
B	412 mm
C	412 mm
K	12 mm
Weight	1990 Kg
Basic dynamic load rating (C)	14504 kN
Basic static load rating (C0)	38220 kN
(Grease) Lubrication Speed	229,5 r/min

240/950 K30 Bearing 2D drawings and 3D CAD models