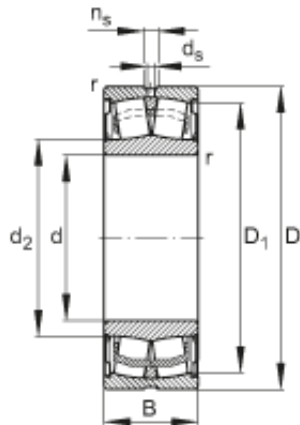




NTN Bearing Manufacturing



55 mm x 120 mm x 49 mm FAG WS22311-E1-2RSR spherical roller bearings

Bearing No. WS22311-E1-2RSR

WS22311-E1-2RSR Bearing 2D drawings and 3D CAD models

Size	55x120x49 mm
Bore Diameter	55 mm
Outer Diameter	120 mm
Width	49 mm
d	55 mm
D	120 mm
B	49 mm
D ₁	104,1 mm
D _{a max}	109 mm
d ₂	64,8 mm
d _{a min}	64,8 mm
d _s	3,2 mm
n _s	6,5 mm
r _{a max}	2 mm
r _{min}	2 mm
m	2,9 kg / Weight
C _r	265000 N / Dynamic load rating (radial)
e	0,36
Y ₁	1,89
Y ₂	2,81
C _{0r}	260000 N / Static load rating (radial)
Y ₀	1,84



NTN Bearing Manufacturing

n_G	1450 1/min / Limiting speed
C_{ur}	23900 N