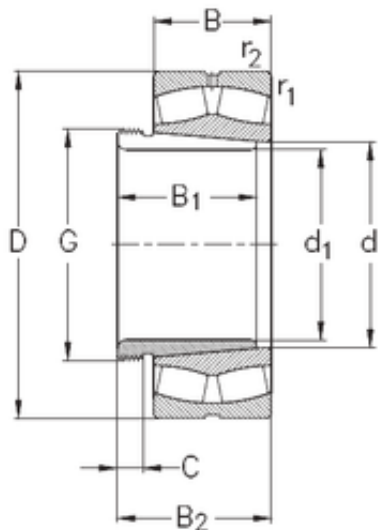




NTN Bearing Manufacturing



50 mm x 90 mm x 23 mm NKE 22210-E-K-W33+AHX310 spherical roller bearings

Bearing No. 22210-E-K-W33+AHX310

| | |
|-------------------------------|-------------|
| Size | 50x90x23 mm |
| Bore Diameter | 50 mm |
| Outer Diameter | 90 mm |
| Width | 23 mm |
| d | 50 mm |
| d1 | 45 mm |
| D | 90 mm |
| B | 23 mm |
| C | 23 mm |
| r1 min. | 1,1 mm |
| r2 min. | 1,1 mm |
| B1 | 35 mm |
| B2 | 38 mm |
| C | 7 mm |
| Thread (G) | M 55x2 |
| Weight | 0,85 Kg |
| Basic dynamic load rating (C) | 105 kN |
| Basic static load rating (C0) | 124 kN |
| Limiting speed | 9500 r/min |
| Calculation factor (e) | 0,24 |
| Calculation factor (Y0) | 2,8 |
| Calculation factor (Y1) | 2,8 |

22210-E-K-W33+AHX310 Bearing 2D drawings and 3D CAD models