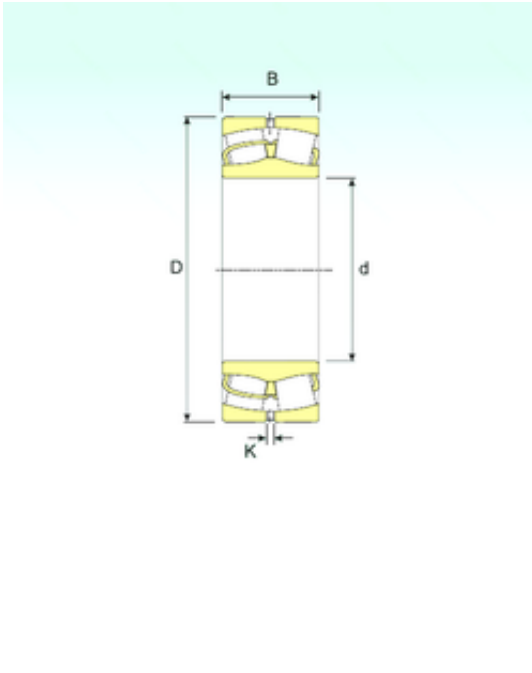




NTN Bearing Manufacturing



22319 Bearing 2D drawings and 3D CAD models

95 mm x 200 mm x 67 mm ISB 22319 spherical roller bearings

Bearing No. 22319

Size	95x200x67 mm
Bore Diameter	95 mm
Outer Diameter	200 mm
Width	67 mm
d	95 mm
D	200 mm
B	67 mm
C	67 mm
K	6 mm
Weight	10,5 Kg
Basic dynamic load rating (C)	657 kN
Basic static load rating (C0)	750 kN
(Grease) Lubrication Speed	2601 r/min