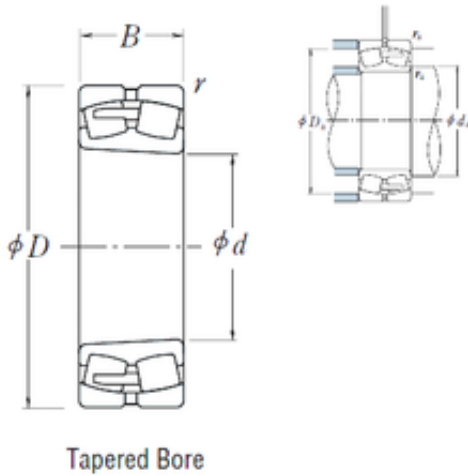




# NTN Bearing Manufacturing

260 mm x 400 mm x 104 mm NSK  
23052CAKE4 spherical roller bearings

Bearing No. 23052CAKE4



23052CAKE4 Bearing 2D drawings and 3D CAD models

Size	260x400x104 mm
Bore Diameter	260 mm
Outer Diameter	400 mm
Width	104 mm
d	260 mm
D	400 mm
B	104 mm
C	104 mm
r min.	4 mm
da min.	278 mm
Da min	356 mm
Da max.	382 mm
ra max.	3 mm
Weight	46,6 Kg
Basic dynamic load rating (C)	1430 kN
Basic static load rating (C0)	2580 kN
(Grease) Lubrication Speed	800 r/min
(Oil) Lubrication Speed	950 r/min
Calculation factor (e)	0,25
Calculation factor (Y0)	2,7
Calculation factor (Y2)	4,1