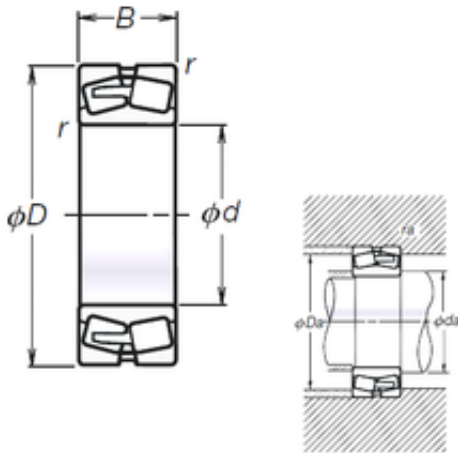




# NTN Bearing Manufacturing



75 mm x 160 mm x 55 mm NSK 22315L12CAM spherical roller bearings

Bearing No. 22315L12CAM

Size	75x160x55 mm
Bore Diameter	75 mm
Outer Diameter	160 mm
Width	55 mm
d	75 mm
D	160 mm
B	55 mm
C	55 mm
r min.	2,1 mm
Basic dynamic load rating (C)	340 kN

22315L12CAM Bearing 2D drawings and 3D CAD models