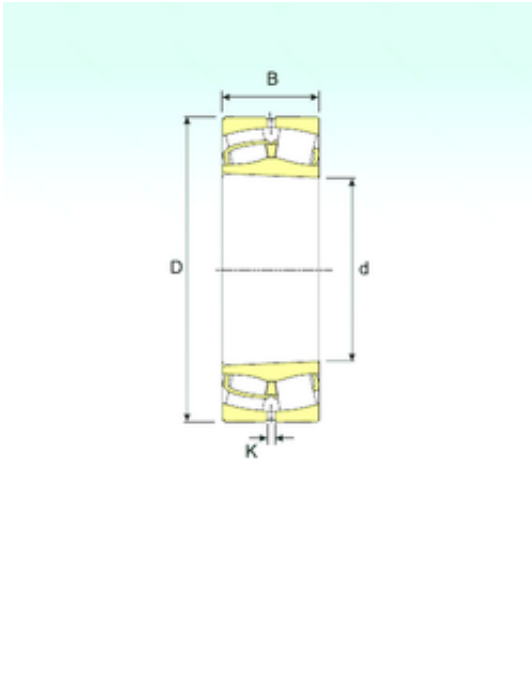




NTN Bearing Manufacturing



24126 K30 Bearing 2D drawings and 3D CAD models

130 mm x 210 mm x 80 mm ISB 24126 K30
spherical roller bearings

Bearing No. 24126 K30

Size	130x210x80 mm
Bore Diameter	130 mm
Outer Diameter	210 mm
Width	80 mm
d	130 mm
D	210 mm
B	80 mm
C	80 mm
K	3 mm
Weight	11 Kg
Basic dynamic load rating (C)	666 kN
Basic static load rating (C0)	980 kN
(Grease) Lubrication Speed	1836 r/min