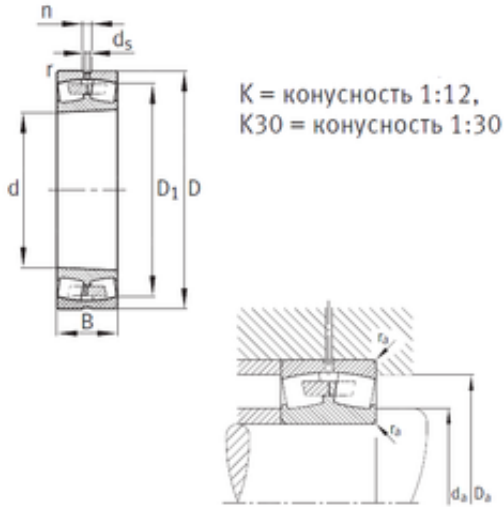




NTN Bearing Manufacturing



K = конусность 1:12,
K30 = конусность 1:30

500 mm x 830 mm x 264 mm FAG 231/500-B-K-MB spherical roller bearings

Bearing No. 231/500-B-K-MB

231/500-B-K-MB Bearing 2D drawings and 3D CAD models

Size	500x830x264 mm
Bore Diameter	500 mm
Outer Diameter	830 mm
Width	264 mm
d	500 mm
D	830 mm
B	264 mm
C	264 mm
n	23,5 mm
r min.	7,5 mm
D1	720,9 mm
da min.	532 mm
Da max.	798 mm
ra max.	6 mm
d5	12,5 r/min
Weight	556 Kg
Basic dynamic load rating (C)	7100 kN
Basic static load rating (C0)	14300 kN
Fatigue load limit (Pu)	990
Reference speed	340 r/min
Limiting speed	600 r/min
Calculation factor (e)	0,32
Calculation factor (Y0)	2,06
Calculation factor (Y1)	2,1