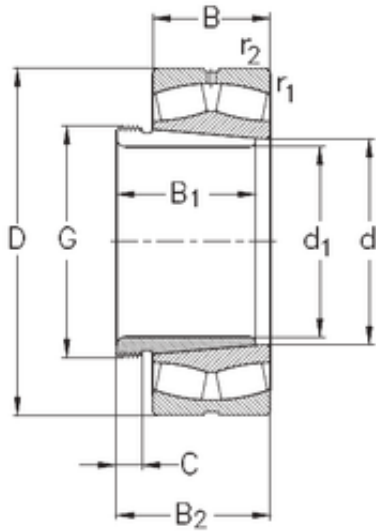




NTN Bearing Manufacturing



500 mm x 830 mm x 325 mm NKE
241/500-K30-MB-W33+AH241/500 spherical roller bearings

Bearing No. 241/500-K30-MB-W33+AH241/500

241/500-K30-MB-W33+AH241/500 Bearing 2D drawings and 3D CAD models

Size	500x830x325 mm
Bore Diameter	500 mm
Outer Diameter	830 mm
Width	325 mm
d	500 mm
d1	480 mm
D	830 mm
B	325 mm
C	325 mm
r1 min.	7,5 mm
r2 min.	7,5 mm
B1	360 mm
B2	383 mm
C	35 mm
Thread (G)	Tr 530x6
Weight	792 Kg
Basic dynamic load rating (C)	8705 kN
Basic static load rating (C0)	17263 kN
Limiting speed	600 r/min
Calculation factor (e)	0,37
Calculation factor (Y0)	1,76
Calculation factor (Y1)	1,8