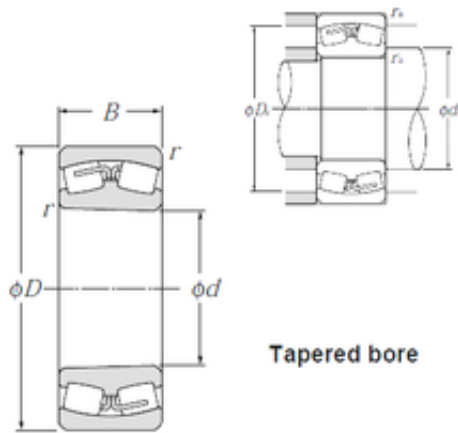




NTN Bearing Manufacturing



22240BK Bearing 2D drawings and 3D CAD models

200 mm x 360 mm x 98 mm NTN 22240BK spherical roller bearings

Bearing No. 22240BK

Size	200x360x98 mm
Bore Diameter	200 mm
Outer Diameter	360 mm
Width	98 mm
d	200 mm
D	360 mm
B	98 mm
C	98 mm
r min.	4 mm
da min.	218 mm
Da max.	342 mm
ra max.	3 mm
Weight	43 Kg
Basic dynamic load rating (C)	1 310 kN
Basic static load rating (C0)	2 010 kN
(Grease) Lubrication Speed	1 100 r/min
(Oil) Lubrication Speed	1 500 r/min
Calculation factor (e)	0,28
Calculation factor (Y0)	2,39
Calculation factor (Y1)	2,45
Category	Bearings
Inventory	0.0
Manufacturer Name	NTN
Minimum Buy Quantity	N/A
Weight / Kilogram	0



NTN Bearing Manufacturing

EAN	4547359267907
Product Group	B04311