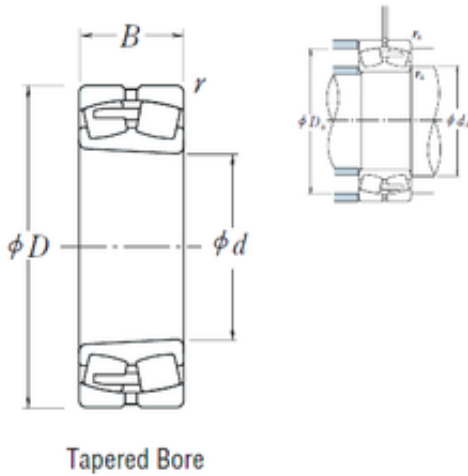




NTN Bearing Manufacturing

420 mm x 560 mm x 106 mm NSK
23984CAKE4 spherical roller bearings

Bearing No. 23984CAKE4



23984CAKE4 Bearing 2D drawings and 3D CAD models

Size	420x560x106 mm
Bore Diameter	420 mm
Outer Diameter	560 mm
Width	106 mm
d	420 mm
D	560 mm
B	106 mm
C	106 mm
r min.	4 mm
da min.	438 mm
Da min	521 mm
Da max.	542 mm
ra max.	3 mm
Weight	71,6 Kg
Basic dynamic load rating (C)	1870 kN
Basic static load rating (C0)	4250 kN
(Grease) Lubrication Speed	500 r/min
(Oil) Lubrication Speed	600 r/min
Calculation factor (e)	0,17
Calculation factor (Y0)	3,9
Calculation factor (Y2)	6