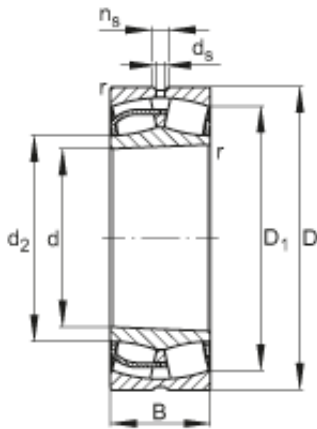




NTN Bearing Manufacturing



300 mm x 500 mm x 200 mm FAG
24160-E1-K30 spherical roller bearings

Bearing No. 24160-E1-K30

24160-E1-K30 Bearing 2D drawings and 3D CAD models

Size	300x500x200 mm
Bore Diameter	300 mm
Outer Diameter	500 mm
Width	200 mm
d	300 mm
D	500 mm
B	200 mm
D_1	422,8 mm
$D_{a \max}$	480 mm
d_2	338,2 mm
$d_{a \min}$	320 mm
d_s	8 mm
n_s	15 mm
$r_{a \max}$	4 mm
r_{\min}	5 mm
m	161 kg / Weight
C_r	3950000 N / Dynamic load rating (radial)
e	0,39
Y_1	1,72
Y_2	2,56
C_{0r}	6400000 N / Static load rating (radial)
Y_0	1,68



NTN Bearing Manufacturing

n_G	1100 1/min / Limiting speed
n_B	455 1/min
C_{ur}	485000 N / Fatigue limit load, radial