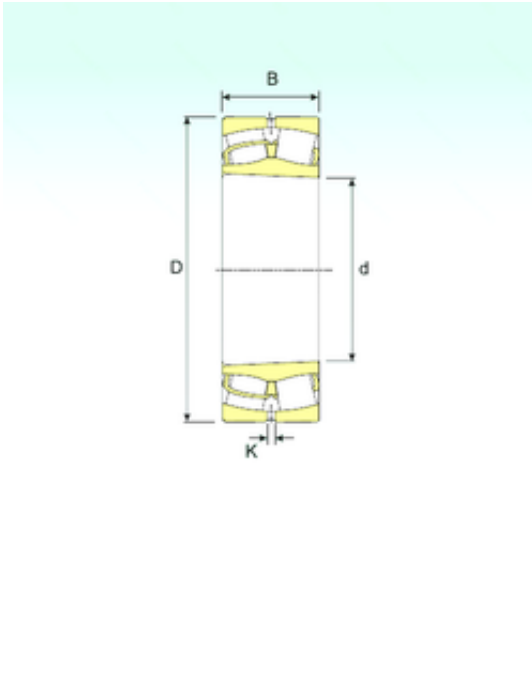




# NTN Bearing Manufacturing



23168 K Bearing 2D drawings and 3D CAD models

340 mm x 580 mm x 190 mm ISB 23168 K  
spherical roller bearings

Bearing No. 23168 K

Size	340x580x190 mm
Bore Diameter	340 mm
Outer Diameter	580 mm
Width	190 mm
d	340 mm
D	580 mm
B	190 mm
C	190 mm
K	12 mm
Weight	210 Kg
Basic dynamic load rating (C)	4165 kN
Basic static load rating (C0)	6664 kN
(Grease) Lubrication Speed	765 r/min