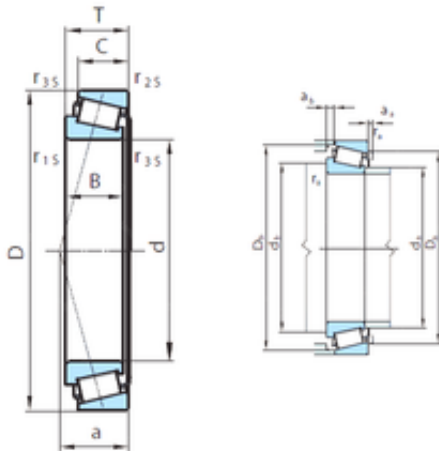




NTN Bearing Manufacturing

482,6 mm x 634,873 mm x 80,962 mm PSL PSL
612-320 tapered roller bearings



Bearing No. PSL 612-320

Size	482.6x634.873x80.962 mm
Bore Diameter	482,6 mm
Outer Diameter	634,873 mm
Width	80,962 mm
d	482,6 mm
D	634,873 mm
T	80,962 mm
B	80,962 mm
C	63,5 mm
a	98,5 mm
r min.	6,4 mm
r2 min.	3,3 mm
r3 min.	1,5 mm
da max	520 mm
Da min	590 mm
Da max.	619 mm
db min	498,6 mm
Db min.	613 mm
Weight	65,2 Kg
Basic dynamic load rating (C)	1473 kN
Basic static load rating (C0)	3452 kN
(Grease) Lubrication Speed	500 r/min
(Oil) Lubrication Speed	350 r/min
Calculation factor (e)	0,34
Calculation factor (Y)	0

PSL 612-320 Bearing 2D drawings and 3D CAD models



NTN Bearing Manufacturing