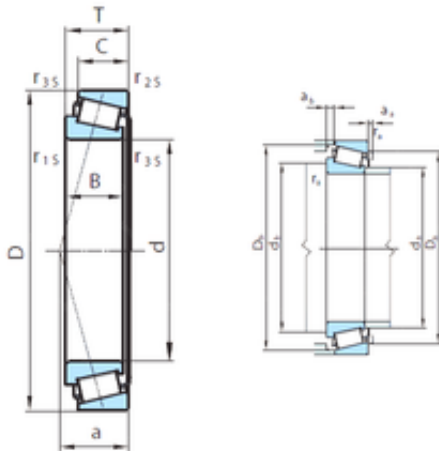




NTN Bearing Manufacturing

203,2 mm x 360,05 mm x 88,09 mm PSL PSL
611-3 tapered roller bearings



Bearing No. PSL 611-3

Size	203.2x360.05x92.1 mm
Bore Diameter	203,2 mm
Outer Diameter	360,05 mm
Width	92,1 mm
d	203,2 mm
D	360,05 mm
T	92,1 mm
B	88,09 mm
C	63,5 mm
a	43 mm
r min.	3 mm
r2 min.	6 mm
r3 min.	1,5 mm
da max	240 mm
Da min	301 mm
Da max.	328 mm
db min	230 mm
Db min.	335 mm
ra max.	2,5 mm
Weight	34,5 Kg
Basic dynamic load rating (C)	863 kN
Basic static load rating (C0)	1364 kN
(Grease) Lubrication Speed	900 r/min
(Oil) Lubrication Speed	1300 r/min
Calculation factor (e)	0,41

PSL 611-3 Bearing 2D drawings and 3D CAD models



NTN Bearing Manufacturing

Calculation factor (Y)	1,5
------------------------	-----