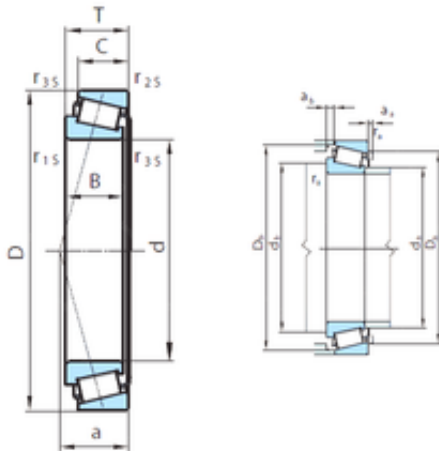




NTN Bearing Manufacturing

220 mm x 340 mm x 76 mm PSL 32044AX tapered roller bearings



Bearing No. 32044AX

Size	220x340x76 mm
Bore Diameter	220 mm
Outer Diameter	340 mm
Width	76 mm
d	220 mm
D	340 mm
T	76 mm
B	76 mm
C	57 mm
a	72,5 mm
r min.	4 mm
r2 min.	3 mm
r3 min.	1 mm
da max	243 mm
Da min	302 mm
Da max.	326 mm
db min	234 mm
Db min.	329 mm
ra max.	3 mm
Weight	24,1 Kg
Basic dynamic load rating (C)	875 kN
Basic static load rating (C0)	1587 kN
(Grease) Lubrication Speed	850 r/min
(Oil) Lubrication Speed	1220 r/min
Calculation factor (e)	0,43

32044AX Bearing 2D drawings and 3D CAD models



NTN Bearing Manufacturing

Calculation factor (Y)	1,39
------------------------	------