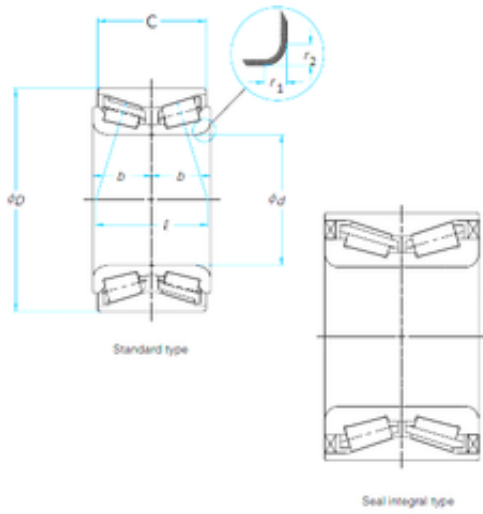




# NTN Bearing Manufacturing



50 mm x 89 mm x 51 mm NTN  
TU1004-1LL/669 tapered roller bearings

Bearing No. TU1004-1LL/669

Size	50x89x51 mm
Bore Diameter	50 mm
Outer Diameter	89 mm
Width	51 mm
d	50 mm
D	89 mm
B	51 mm

TU1004-1LL/669 Bearing 2D drawings and 3D CAD models