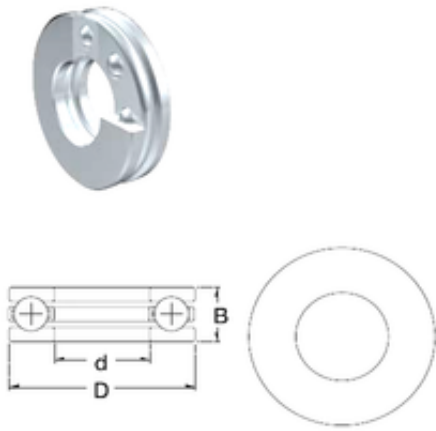




# NTN Bearing Manufacturing

## ZEN S51105 thrust ball bearings

Bearing No. S51105



S51105 Bearing 2D drawings and 3D CAD models

Size	25x42x11 mm
Bore Diameter	25 mm
Outer Diameter	42 mm
Width	11 mm
d	25 mm
D	42 mm
H	11 mm
Basic dynamic load rating (C)	15,86 kN
Basic static load rating (C0)	22,8 kN
(Grease) Lubrication Speed	4800 r/min