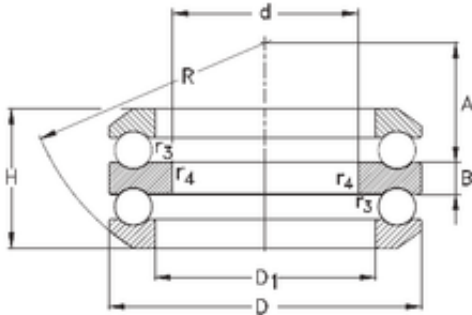




NTN Bearing Manufacturing

110 mm x 190 mm x 18 mm NKE 54226-MP thrust ball bearings



Bearing No. 54226-MP

Size	110x190x85.8 mm
Bore Diameter	110 mm
Outer Diameter	190 mm
Width	85,8 mm
d	110 mm
D	190 mm
H	85,8 mm
r1 min.	1,5 mm
r2 min.	1,5 mm
r3 min.	1,1 mm
r4 min.	1,1 mm
A	63 mm
B	18 mm
D1	133 mm
R	140 mm
Weight	7,78 Kg
Basic dynamic load rating (C)	183 kN
Basic static load rating (C0)	540 kN

54226-MP Bearing 2D drawings and 3D CAD models