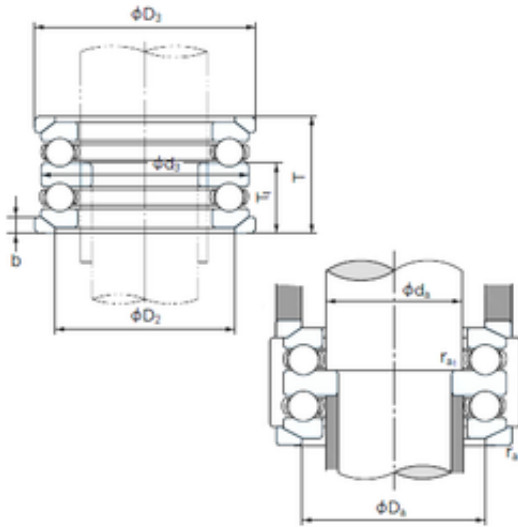




NTN Bearing Manufacturing



54324U Bearing 2D drawings and 3D CAD models

NACHI 54324U thrust ball bearings

Bearing No. 54324U

| | |
|-------------------------------|----------------|
| Size | 120x210x143 mm |
| Bore Diameter | 120 mm |
| Outer Diameter | 210 mm |
| Width | 143 mm |
| d | 120 mm |
| d2 | 100 mm |
| D | 210 mm |
| T | 143 mm |
| ra1 max. | 1 mm |
| T1 | 85 mm |
| a | 27 mm |
| b | 22 mm |
| d3 | 209.5 mm |
| r min. | 2.1 mm |
| r1 min. | 1.1 mm |
| D1 | 123 mm |
| D2 | 165 mm |
| D3 | 220 mm |
| da min. | 120 mm |
| Da max. | 165 mm |
| ra max. | 2 mm |
| Weight | 21.0 Kg |
| Basic dynamic load rating (C) | 267 kN |
| Basic static load rating (C0) | 870 kN |
| (Grease) Lubrication Speed | 790 r/min |