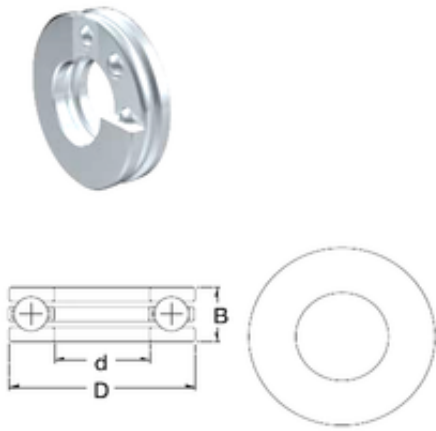




# NTN Bearing Manufacturing

## ZEN 51200 thrust ball bearings

Bearing No. 51200



51200 Bearing 2D drawings and 3D CAD models

Size	10x26x11 mm
Bore Diameter	10 mm
Outer Diameter	26 mm
Width	11 mm
d	10 mm
D	26 mm
H	11 mm
Basic dynamic load rating (C)	12,7 kN
Basic static load rating (C0)	17 kN
(Grease) Lubrication Speed	6000 r/min