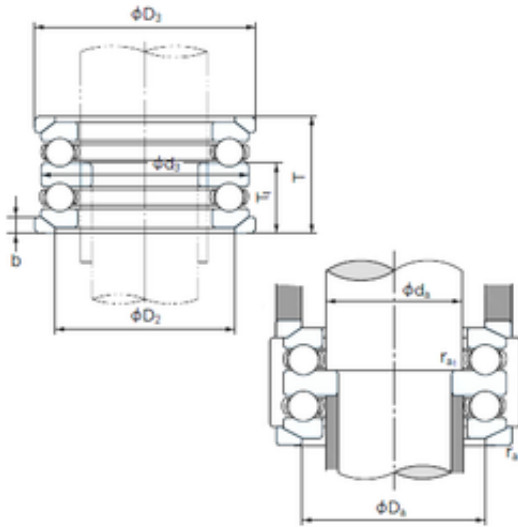




NTN Bearing Manufacturing



54210U Bearing 2D drawings and 3D CAD models

NACHI 54210U thrust ball bearings

Bearing No. 54210U

Size	50x78x47 mm
Bore Diameter	50 mm
Outer Diameter	78 mm
Width	47 mm
d	50 mm
d2	40 mm
D	78 mm
T	47 mm
ra1 max.	0.6 mm
T1	28 mm
a	9 mm
b	7.5 mm
d3	78 mm
r min.	1 mm
r1 min.	0.6 mm
D1	52 mm
D2	62 mm
D3	82 mm
da min.	50 mm
Da max.	62 mm
ra max.	1 mm
Weight	0.899 Kg
Basic dynamic load rating (C)	48,5 kN
Basic static load rating (C0)	112 kN
(Grease) Lubrication Speed	2400 r/min