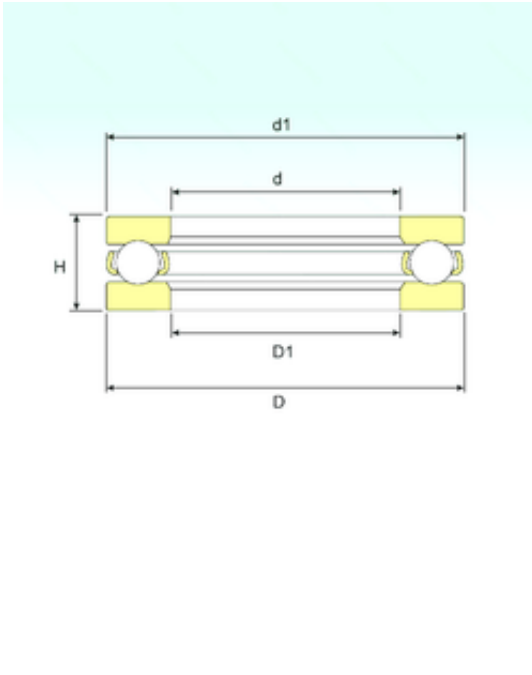




NTN Bearing Manufacturing



51305 Bearing 2D drawings and 3D CAD models

ISB 51305 thrust ball bearings

Bearing No. 51305

Size	25x52x18 mm
Bore Diameter	25 mm
Outer Diameter	52 mm
Width	18 mm
d	25 mm
D	52 mm
H	18 mm
d1	52 mm
D1	27 mm
Weight	0,12 Kg
Basic dynamic load rating (C)	34 kN
Basic static load rating (C0)	59 kN
(Grease) Lubrication Speed	4820 r/min