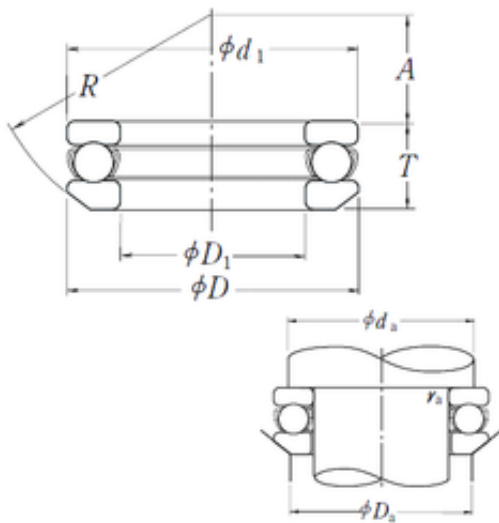




# NTN Bearing Manufacturing



## NSK 53308 thrust ball bearings

Bearing No. 53308

Size	40x78x28.5 mm
Bore Diameter	40 mm
Outer Diameter	78 mm
Width	28,5 mm
d	40 mm
D	78 mm
T	28,5 mm
d1	78 mm
r min.	1 mm
A	28 mm
D1	42 mm
R	64 mm
da min.	63 mm
Da max.	55 mm
ra max.	1 mm
Weight	0,581 Kg
Basic dynamic load rating (C)	70 kN
Basic static load rating (C0)	135 kN
(Grease) Lubrication Speed	2200 r/min
Category	Thrust Ball Bearing
Inventory	0.0
Manufacturer Name	NSK
Minimum Buy Quantity	N/A
Weight / Kilogram	0.69
Product Group	B00308
Rolling Element	Ball Bearing

53308 Bearing 2D drawings and 3D CAD models



## NTN Bearing Manufacturing

Thrust Bearing	Yes
Single or Double Direction	Single Direction
Banded	No
Cage Material	Steel
Precision Class	Non-Precision
Component Description	Roller Assembly Plus Raceways
Other Features	Single Row   With Aligning Seat
Long Description	40MM Bore 1; 42MM Bore 2; 78MM Outside Diameter; 29MM Height; Ball Bearing; Single Direction; Not Banded; Steel Cage; Non-Precision
Inch - Metric	Metric
Category	Thrust Ball Bearings
UNSPSC	31171552
Harmonized Tariff Code	8482.10.50.08
Noun	Bearing
Keyword String	Ball Thrust
Manufacturer URL	<a href="http://www.nskamericas.com">http://www.nskamericas.com</a>
Weight / LBS	1.28089
Bore 2	1.654 Inch   42 Millimeter
Outside Diameter	3.071 Inch   78 Millimeter
Overall Height with Aligning Washer	0 Inch   0 Millimeter
Height	1.142 Inch   29 Millimeter
Bore 1	1.575 Inch   40 Millimeter
SRI	7.25
hidYobi	53308
LangID	1
D_	78
SREX	0.05



## NTN Bearing Manufacturing

C	70
B_	28.5
hidTable	ecat_NSSDTB
Oil rpm	3400
SRE	7.25
mass	0.581
GRS rpm	2200
ra	1
SRIX	0.05
D_a	55
SRIN	0
C0	135
SREN	0
D_1	42
Prod_Type3	TB_SD_WAS
da	63
DA_	13.494
Z_	12
yobi	53308
A_	28
T3	28.5
SDM_	59
r	1
KBRG	5121
R_	64