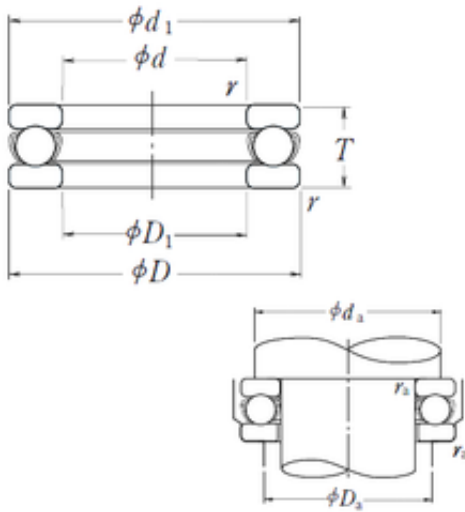




NTN Bearing Manufacturing



NSK 51103 thrust ball bearings

Bearing No. 51103

Size	17x30x9 mm
Bore Diameter	17 mm
Outer Diameter	30 mm
Width	9 mm
d	17 mm
D	30 mm
T	9 mm
d1	30 mm
r min.	0,3 mm
D1	18 mm
da min.	25 mm
Da max.	22 mm
ra max.	0,3 mm
Weight	0,025 Kg
Basic dynamic load rating (C)	11,4 kN
Basic static load rating (C0)	19,5 kN
(Grease) Lubrication Speed	6000 r/min
Category	Thrust Ball Bearing
Inventory	0.0
Manufacturer Name	NSK
Minimum Buy Quantity	N/A
Weight / Kilogram	0.02
EAN	0029176026386
Product Group	B00308
Rolling Element	Ball Bearing
Thrust Bearing	Yes

51103 Bearing 2D drawings and 3D CAD models



NTN Bearing Manufacturing

Single or Double Direction	Single Direction
Banded	No
Cage Material	Steel
Precision Class	Non-Precision
Component Description	Roller Assembly Plus Raceways
Other Features	Single Row With Flat Seat
Long Description	17MM Bore 1; 18MM Bore 2; 30MM Outside Diameter; 9MM Height; Ball Bearing; Single Direction; Not Banded; Steel Cage; Non-Precision
Inch - Metric	Metric
Category	Thrust Ball Bearings
UNSPSC	31171552
Harmonized Tariff Code	8482.10.50.08
Noun	Bearing
Keyword String	Ball Thrust
Manufacturer URL	http://www.nskamericas.com
Manufacturer Item Number	51103
Weight / LBS	0.05512
Bore 1	0.669 Inch 17 Millimeter
Height	0.354 Inch 9 Millimeter
Outside Diameter	1.181 Inch 30 Millimeter
Bore 2	0.709 Inch 18 Millimeter
Overall Height with Aligning Washer	0 Inch 0 Millimeter
bore diameter:	17 mm
static load capacity:	4400 lbf
outside diameter:	30 mm
dynamic load capacity:	9400 lbf
overall width:	9 mm



NTN Bearing Manufacturing

operating temperature range:	Maximum of +120 ° C
thrust bearing type:	Single-Direction
maximum rpm:	9000 rpm
outside diameter design:	Straight
cage material:	Steel Cage
separable or banded:	Separable
fillet radius:	.3 mm
race type:	Flat
series:	51100
precision rating:	ABEC1, P0
SRI	2.6
hidYobi	51103
LangID	1
D_	30
SREX	0.03
C	11.4
B_	9
hidTable	ecat_NSSDTB
Oil rpm	9000
SRE	2.6
mass	0.025
GRS rpm	6000
ra	0.3
SRIX	0.03
D_a	22
SRIN	0
C0	19.5
SREN	0
D_1	18
Prod_Type3	TB_SD_WFS
da	25
DA_	4.762



NTN Bearing Manufacturing

Z_	14
yobi	51103
SDM_	23.5
r	0.3
T_	9
KBRG	5111