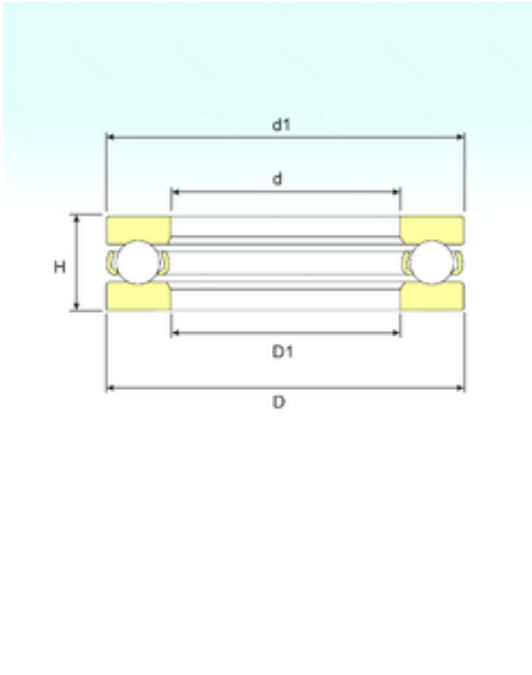




# NTN Bearing Manufacturing



51113 Bearing 2D drawings and 3D CAD models

## ISB 51113 thrust ball bearings

Bearing No. 51113

Size	65x90x18 mm
Bore Diameter	65 mm
Outer Diameter	90 mm
Width	18 mm
d	65 mm
D	90 mm
H	18 mm
d1	90 mm
D1	67 mm
Weight	0,33 Kg
Basic dynamic load rating (C)	37 kN
Basic static load rating (C0)	106 kN
(Grease) Lubrication Speed	3672 r/min