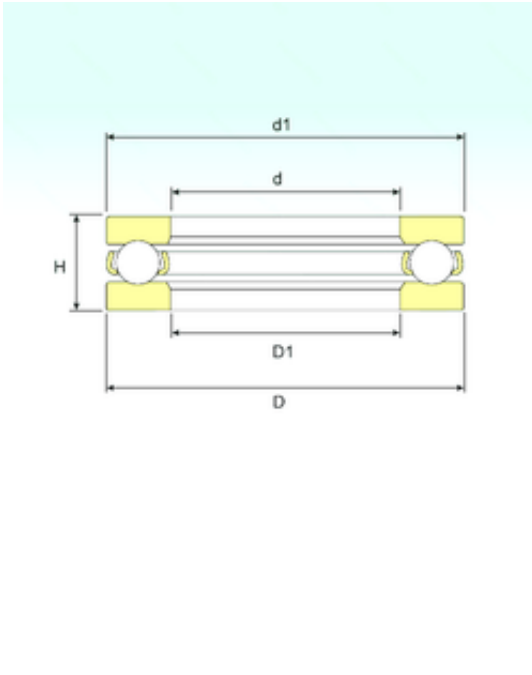




NTN Bearing Manufacturing



51102 Bearing 2D drawings and 3D CAD models

ISB 51102 thrust ball bearings

Bearing No. 51102

Size	15x28x9 mm
Bore Diameter	15 mm
Outer Diameter	28 mm
Width	9 mm
d	15 mm
D	28 mm
H	9 mm
d1	28 mm
D1	16 mm
Weight	0,024 Kg
Basic dynamic load rating (C)	10,39 kN
Basic static load rating (C0)	17,93 kN
(Grease) Lubrication Speed	9180 r/min