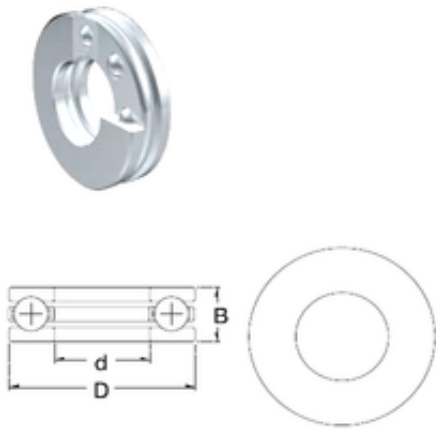




NTN Bearing Manufacturing

ZEN S51106 thrust ball bearings



Bearing No. S51106

Size	30x47x11 mm
Bore Diameter	30 mm
Outer Diameter	47 mm
Width	11 mm
d	30 mm
D	47 mm
H	11 mm
Basic dynamic load rating (C)	16,77 kN
Basic static load rating (C0)	26,5 kN
(Grease) Lubrication Speed	4500 r/min

S51106 Bearing 2D drawings and 3D CAD models